

## 4 ZONE FIRE ALARM CONTROL PANEL MODEL NO-(C-104Z)



This is microcontroller based conventional fire alarm panel which monitor 4 zone status and display the same in LCD & LED.

In case of event (Fire/Fault/Short) it will indicate the respective Zones and also perform the required action like activating the common hooter of the panel.

This Is Latest Technology Fire Alarm Panel Which is designed to be used for small size commercial Building and small-scale industries.

### Features and Benefits :

- As Per IS-15908:2011 Standard.
- 16x2 Dot Matrix LCD Display.
- Zone Wise Fire/Fault LED Indication.
- Short Circuit/Overload Protection.
- Potential Free Contact Facility.
- Inbuilt Battery Charger & Battery Space. 2 Battery 12V 7Ah)
- Auto Dialler Integration Facility.
- Zone Healthy Indication.
- RS 485 Communication for Repeater Panel.

+91-8527498960, 8527498961, 8527498962

sales@agniprotection.com, support@agniprotectionindia.com

www.agniprotection.com



**An ISO 9001-2008 Certified Co.**  
**AGNI PROTECTION PVT. LTD.**  
**DATASHEET**

- Compatible With all Make Conventional Sensors.
- Relay Output for Actuators, For Fire & Fault.
- Lamp Test Facility.
- User Friendly Key pad for easy panel operation.
- Zone Isolation Facility with Zone Voltage Cutoff.
- Low Battery Visual Warning.
- Evacuate Switch for Emergency.
- Zone Name Editing Facility.

**Technical Specifications :**

Mains Voltage	220~230V AC
Frequency	50~60 Hz
Power Consumption	5 Watt/45 Watt (Normal/Fire)
Operating Voltage	24 V DC
Detection O/P Supply	24 V DC
Hooter O/P Supply	24 V DC

**Initiating Device Circuits (Zone Circuit): -**

**All Zones are Class B wiring**

Normal Operating Voltage	16-24 V DC
Alarm Current	15-30mA
Short Circuit Current	100 mA
Maximum Zone Resistance	220 ohms
End of Line	4.7k
Standby Current	200 mA

**ENVIRONMENTAL INFORMATION:**

Operating Temperature	0 °C to + 65 °C
Operating Humidity	5 to 95% Relative Humidity (non- condensing)

**MECHANICAL SPECIFICATION:**

Cabinet Type	CRCA With Powder Coated Finish
Colour	Off White/Black/Red
Knock- Out	20mm
Dimension (WXHxD)	320 X261X100 mm
Weight without Batter	3.5 Kg (No Battery Fitted)

☎ +91-8527498960, 8527498961, 8527498962

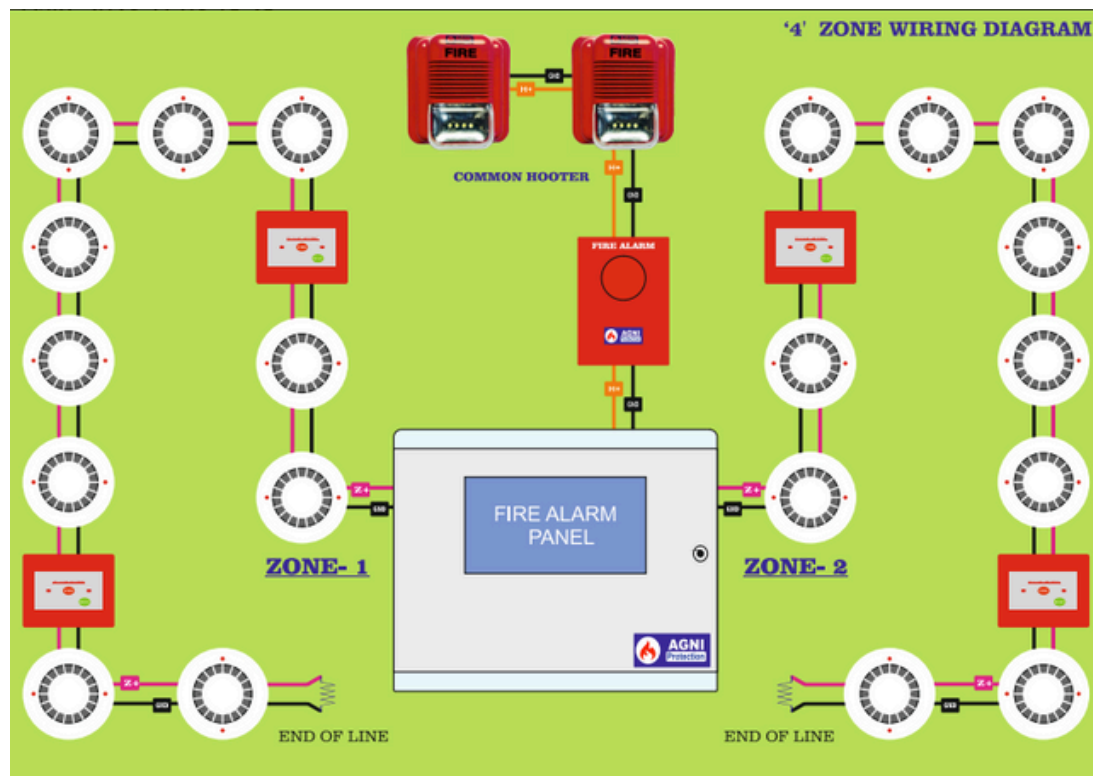
✉ sales@agniprotection.com, support@agniprotectionindia.com

🌐 [www.agniprotection.com](http://www.agniprotection.com)

## COMPATIBLE DEVICES

C-100PD	Smoke Detector
C-100HD	Heat Detector
C-100PHD	Multi Criteria Detector
C-100MM	MS MCP
C-100MH	MS Sounder
C-100AM	ABS MCP
C-100AH	ABS Sounder
C-100SS	ABS Sounder Strobe
C-100RM	Relay Module
RI-100	Response Indicator
C-100SB	Detector Base

## WIRING DIAGRAM:

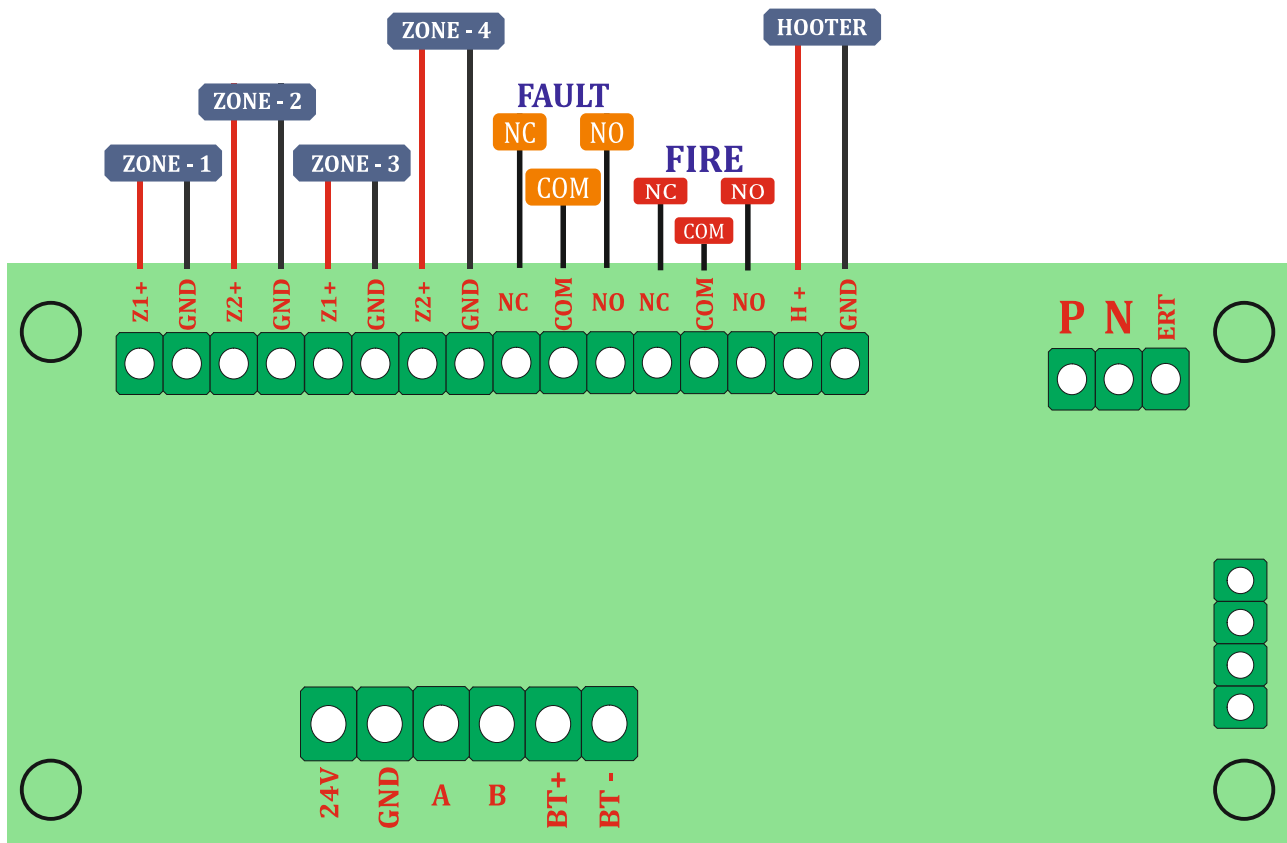


+91-8527498960, 8527498961, 8527498962

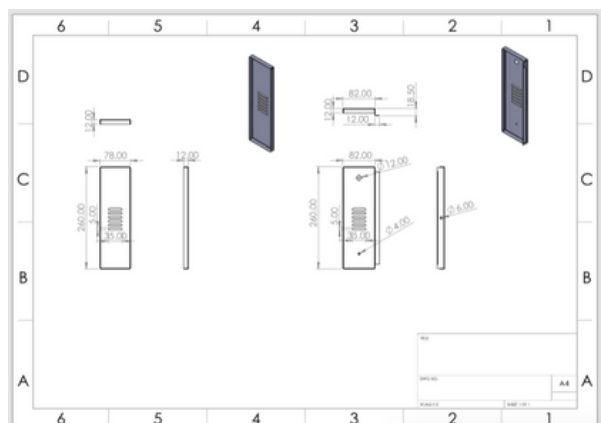
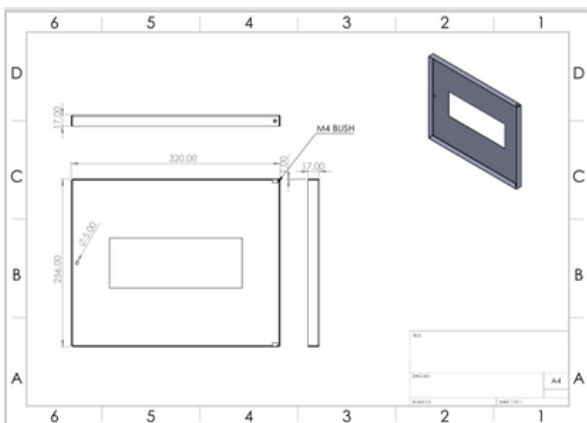
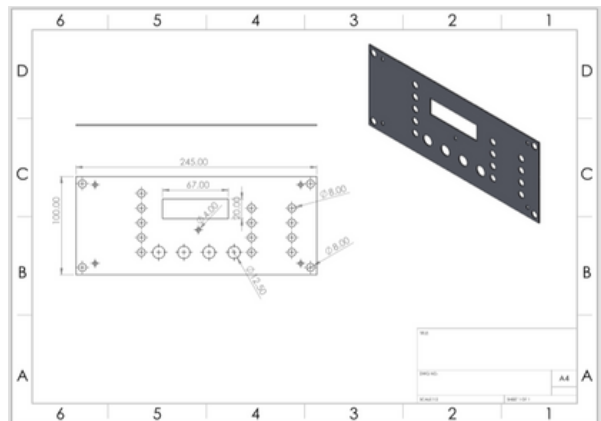
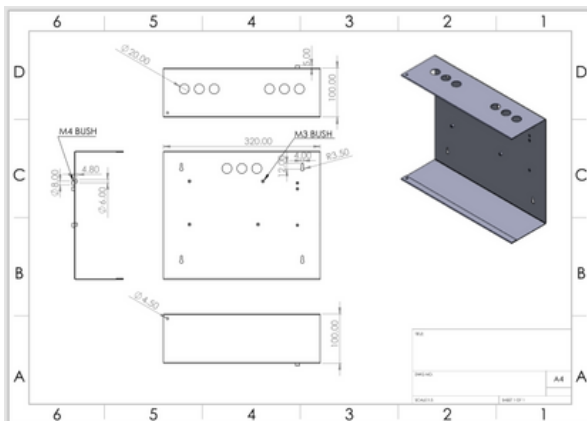
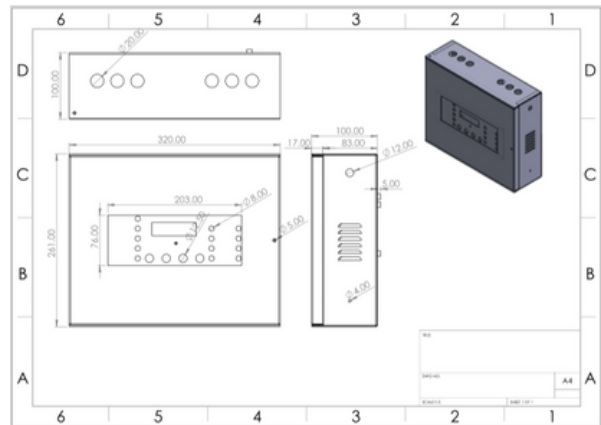
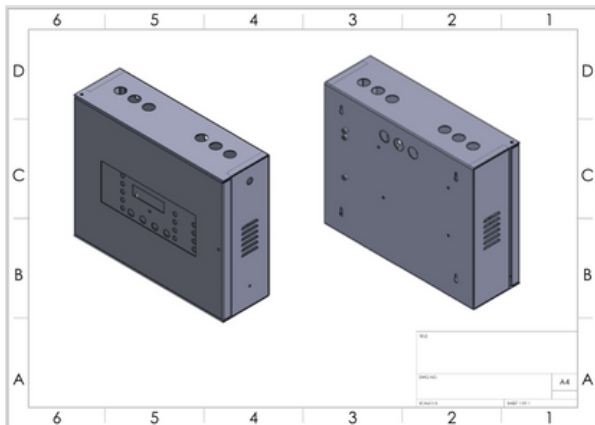
sales@agniprotection.com, support@agniprotectionindia.com

www.agniprotection.com

**CONNECTION DIAGRAM:**



**MECHANICAL DIAGRAM:**





An ISO 9001-2008 Certified Co.  
AGNI PROTECTION PVT. LTD.  
DATASHEET

### ORDERING INFORMATION:

MODEL NO	PACK QTY.	DIMESION (WXHXD) MM	WEIGHT
C-104Z	1	320X261X100	3.5 KG

### APPROVED BY:



+91-8527498960, 8527498961, 8527498962

sales@agniprotection.com, support@agniprotectionindia.com

www.agniprotection.com